

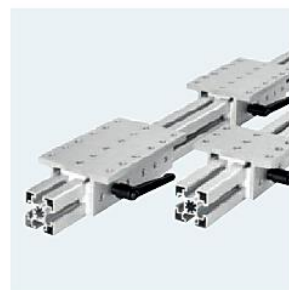
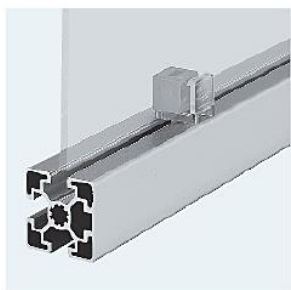
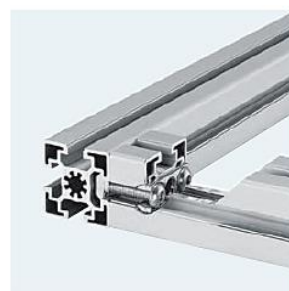
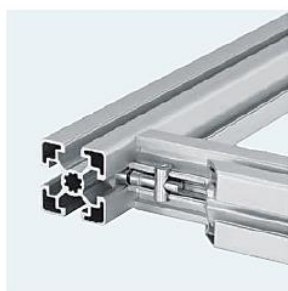
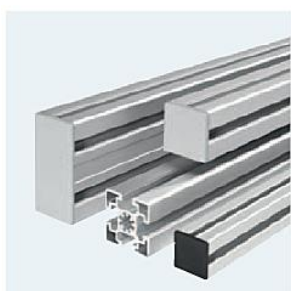
# STORED ASSORTMENT



# TECHVITAS

— Industrial Supply. Service. Consulting. —

# Aluminum profiles assortment



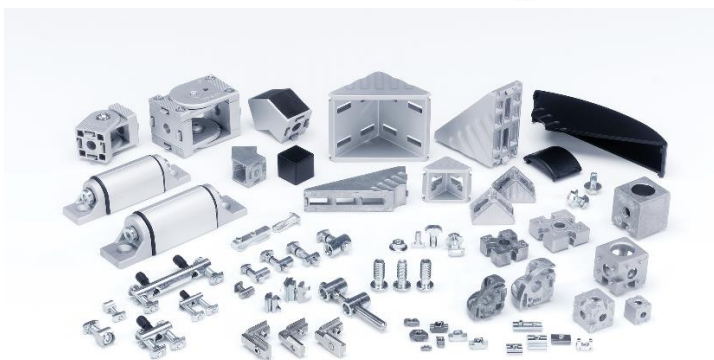
# The versatile comprehensive range

Over 100 different profile cross-sections with perfectly adjusted modular dimensions as well as versatile connection elements and accessories enable you to turn any idea into reality.



## Strong profiles – the economical choice for any load scenario!

- Light profiles
- Heavy-duty standard profiles
- Profiles with closed slots
- Round profiles for an attractive design
- Innovative special profiles for special applications



## Sturdy connecting systems – the Rexroth connectors hold really firmly and securely!

- Bracket
- Joints
- Cubic connectors
- Bolt connector
- Quick connector
- ...

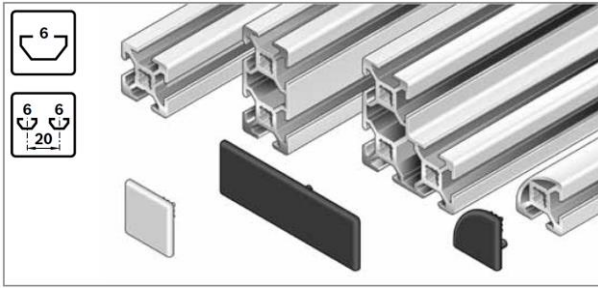


## Matching accessories for the profile system – easy to fix in the profile slot or central hole!

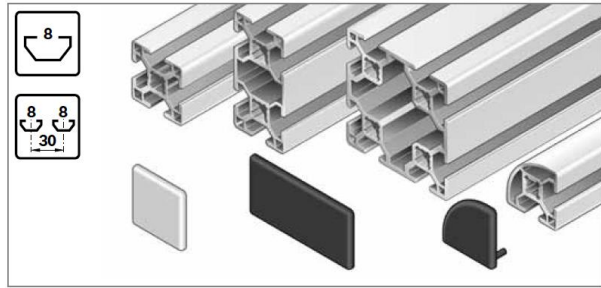
- Hinges, sliders
- Clamping elements
- Feet and rollers
- Installation and air-supply elements
- Cover and mounting rim profiles
- ...

# Strut profiles

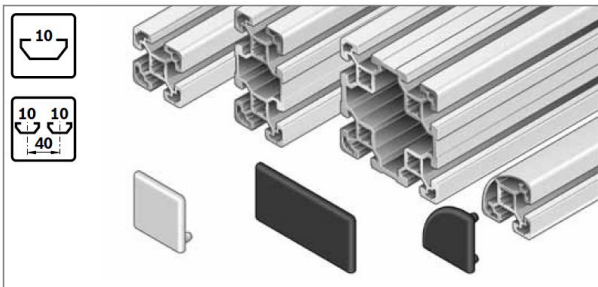
6 mm slot, 20 mm modular dimension



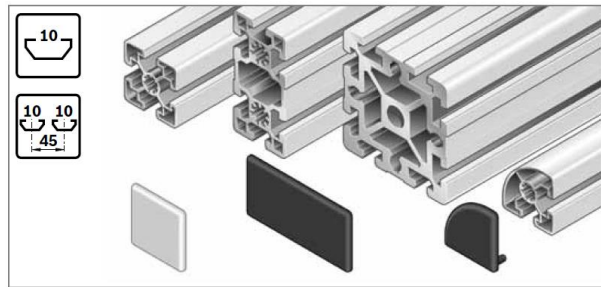
8 mm slot, 30 mm modular dimension



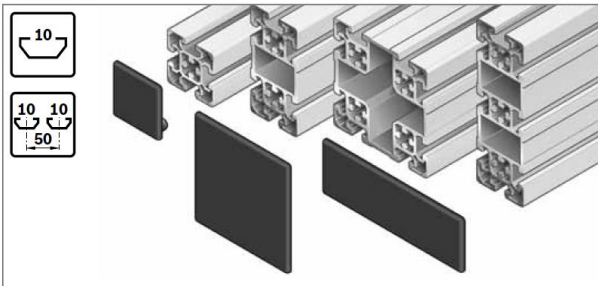
10 mm slot, 40 mm modular dimension



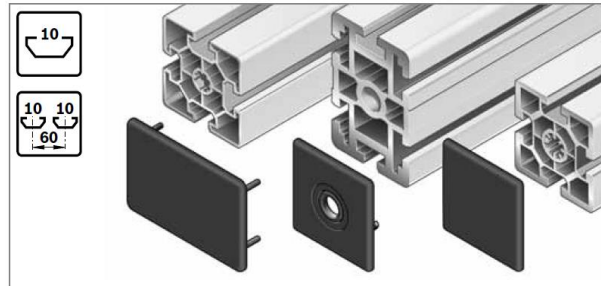
10 mm slot, 45 mm modular dimension



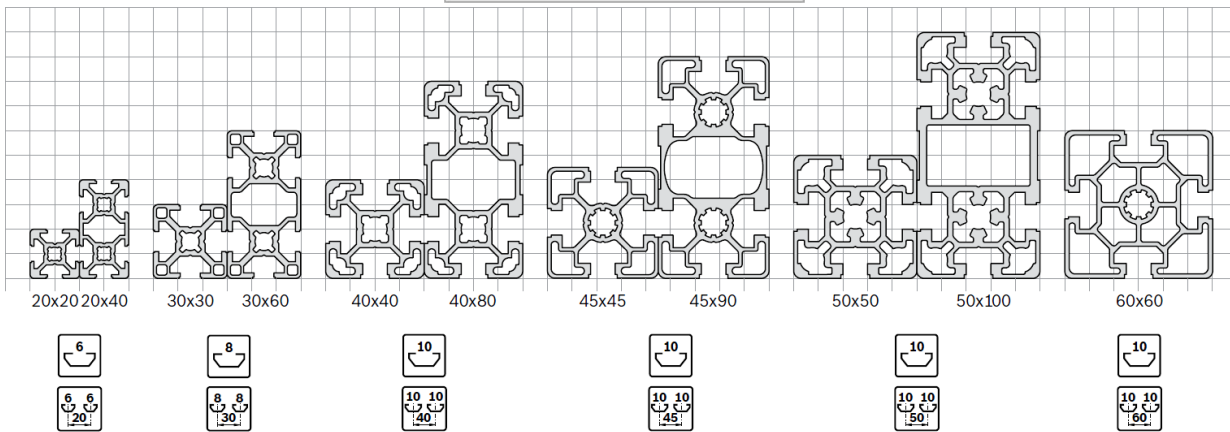
10 mm slot, 50 mm modular dimension



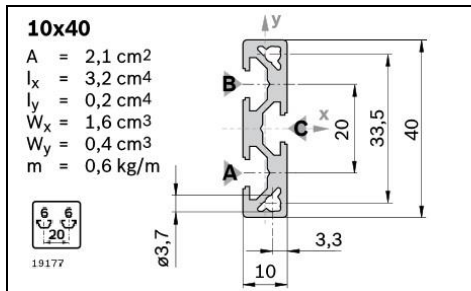
10 mm slot, 60 mm modular dimension



D28

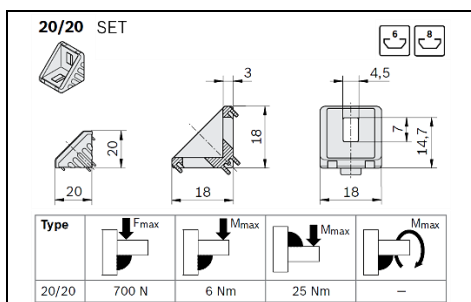


# Profile 10x40

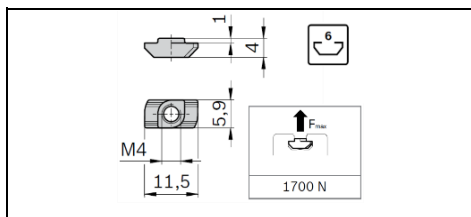


| 10x40 (3000mm) | Material/color         | ESD |     | Code       |
|----------------|------------------------|-----|-----|------------|
| Profile 10x40  | Aluminum               |     | €/m | 3842526817 |
| ESD cap        | Black (PP)             |     | 20  | 3842548767 |
| Cap            | Gray(PP)               |     | 20  | 3842548766 |
| ESD cover      | Anodized aluminum (2m) |     | 10  | 3842523254 |

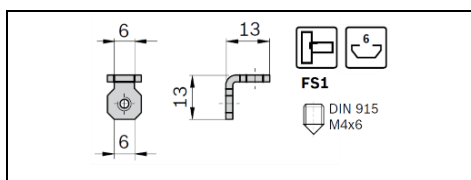
## Accessories:



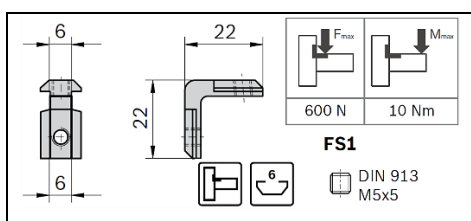
| Bracket        | Slot       | ESD |     | Code       |
|----------------|------------|-----|-----|------------|
| Set (standard) | 6          |     | 1   | 3842523511 |
| ESD cap        | Black (PP) |     | 100 | 3842548843 |
| Cap            | Gray(PP)   |     | 100 | 3842548842 |



| T-nut            | Slot/thread | ESD |     | Code       |
|------------------|-------------|-----|-----|------------|
| Galvanized steel | 6 / M4      |     | 100 | 3842523135 |



| Inner bracket    | Slot  | ESD |    | Code       |
|------------------|-------|-----|----|------------|
| Galvanized steel | 6 / 6 |     | 10 | 3842535574 |



| R inner bracket  | Slot  | ESD |    | Code       |
|------------------|-------|-----|----|------------|
| Galvanized steel | 6 / 6 |     | 10 | 3842535575 |

# Profile 20x20

**20x20**

$A = 1,6 \text{ cm}^2$   
 $I_x = 0,7 \text{ cm}^4$   
 $I_y = 0,7 \text{ cm}^4$   
 $W_x = 0,7 \text{ cm}^3$   
 $W_y = 0,7 \text{ cm}^3$   
 $m = 0,4 \text{ kg/m}$

| 20x20 (3000mm) | Material/color         | ESD |     | Code       |
|----------------|------------------------|-----|-----|------------|
| Profile 20x20  | Aluminum               |     | €/m | 3842517179 |
| ESD cap        | Black (PP)             |     | 20  | 3842548743 |
| Cap            | Gray(PP)               |     | 100 | 3842548742 |
| ESD cover      | Anodized aluminum (2m) |     | 10  | 3842523254 |

## Accessories:

**20/20 SET**

| Type  | $F_{max}$ | $M_{max}$ | $M_{max}$ | $M_{max}$ |
|-------|-----------|-----------|-----------|-----------|
| 20/20 | 700 N     | 6 Nm      | 25 Nm     | —         |

| Bracket        | Slot       | ESD |     | Code       |
|----------------|------------|-----|-----|------------|
| Set (standard) | 6          |     | 1   | 3842523511 |
| ESD cap        | Black (PP) |     | 100 | 3842548843 |
| Cap            | Gray(PP)   |     | 100 | 3842548842 |

| T-nut            | Slot/thread | ESD |     | Code       |
|------------------|-------------|-----|-----|------------|
| Galvanized steel | 6 / M4      |     | 100 | 3842523135 |

**FS1**  
DIN 915  
M4x6

| Inner bracket    | Slot  | ESD |    | Code       |
|------------------|-------|-----|----|------------|
| Galvanized steel | 6 / 6 |     | 10 | 3842535574 |

**FS1**  
DIN 913  
M5x5

| R inner bracket  | Slot  | ESD |    | Code       |
|------------------|-------|-----|----|------------|
| Galvanized steel | 6 / 6 |     | 10 | 3842535575 |

# Profile 30x30

**30x30**

A = 3,1 cm<sup>2</sup>  
 $I_x = 2,8 \text{ cm}^4$   
 $I_y = 2,8 \text{ cm}^4$   
 $W_x = 1,8 \text{ cm}^3$   
 $W_y = 1,8 \text{ cm}^3$   
 $m = 0,9 \text{ kg/m}$

19178

| 30x30 (5600mm) | Material/color         | ESD |     | Code       |
|----------------|------------------------|-----|-----|------------|
| Profile 30x30  | Aluminum               |     | €/m | 3842509178 |
| ESD cap        | Black (PP)             |     | 20  | 3842548745 |
| Cap            | Gray(PP)               |     | 100 | 3842548744 |
| Cover          | Gray                   |     | 10  | 3842518375 |
| ESD cover      | Anodized aluminum (2m) |     | 10  | 3842523256 |

Accessories:

**30/30 SET**

| Type  | $F_{max}$ | $M_{max}$ | $M_{max}$ | $M_{max}$ |
|-------|-----------|-----------|-----------|-----------|
| 30/30 | 1250 N    | 25 Nm     | 75 Nm     | -         |

| Bracket        | Slot       | ESD |     | Code       |
|----------------|------------|-----|-----|------------|
| Set (standard) | 8          |     | 1   | 3842523528 |
| ESD cap        | Black (PP) |     | 100 | 3842548847 |
| Cap            | Gray(PP)   |     | 100 | 3842548846 |

| Slot   | $F_{max}$ |
|--------|-----------|
| 8 (M6) | 4000 N    |

| T-nut            | Slot/thread | ESD |     | Code       |
|------------------|-------------|-----|-----|------------|
| Galvanized steel | 8 / M4      |     | 100 | 3842501751 |
| Galvanized steel | 8 / M5      |     | 100 | 3842501752 |
| Galvanized steel | 8 / M6      |     | 100 | 3842501753 |

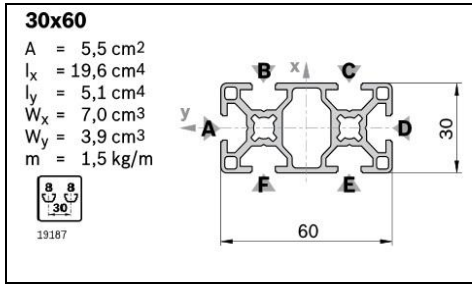
| Slot  | $F_{max}$ | $M_{max}$ |
|-------|-----------|-----------|
| 8 / 8 | 2200 N    | 50 Nm     |

| Inner bracket | Slot  | ESD |    | Code       |
|---------------|-------|-----|----|------------|
|               | 8 / 8 |     | 10 | 3842535578 |

| Slot  | $F_{max}$ | $M_{max}$ |
|-------|-----------|-----------|
| 8 / 8 | 2500 N    | 50 Nm     |

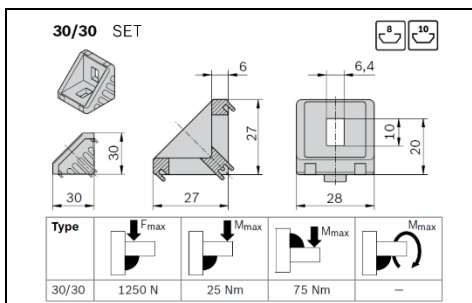
| R inner bracket | Slot  | ESD |    | Code       |
|-----------------|-------|-----|----|------------|
|                 | 8 / 8 |     | 10 | 3842535577 |

# Profile 30x60

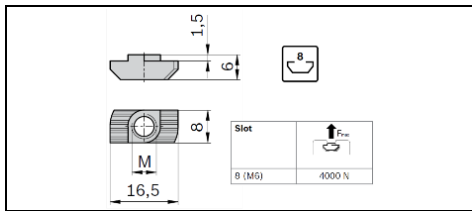


| 30x60 (5600mm) | Material/color         | ESD |     | Code       |
|----------------|------------------------|-----|-----|------------|
| Profile 30x60  | Aluminum               |     | €/m | 3842512603 |
| ESD cap        | Black (PP)             |     | 20  | 3842548781 |
| Cap            | Gray (PP)              |     | 100 | 3842548780 |
| Cover          | Gray                   |     | 10  | 3842518375 |
| ESD cover      | Anodized aluminum (2m) |     | 10  | 3842523256 |

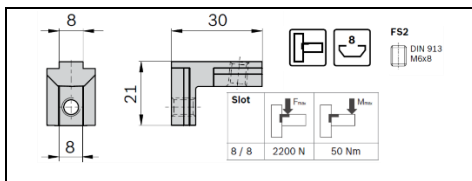
## Accessories:



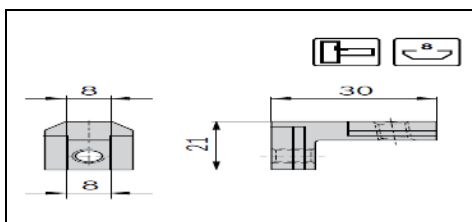
| Bracket        | Slot       | ESD |     | Code       |
|----------------|------------|-----|-----|------------|
| Set (standard) | 8          |     | 1   | 3842523528 |
| ESD cap        | Black (PP) |     | 100 | 3842548847 |
| Cap            | Gray (PP)  |     | 100 | 3842548846 |



| T-nut            | Slot/thread | ESD |     | Code       |
|------------------|-------------|-----|-----|------------|
| Galvanized steel | 8 / M4      |     | 100 | 3842501751 |
| Galvanized steel | 8 / M5      |     | 100 | 3842501752 |
| Galvanized steel | 8 / M6      |     | 100 | 3842501753 |



| Inner bracket | Slot  | ESD |    | Code       |
|---------------|-------|-----|----|------------|
|               | 8 / 8 |     | 10 | 3842535578 |



| R inner bracket | Slot  | ESD |    | Code       |
|-----------------|-------|-----|----|------------|
|                 | 8 / 8 |     | 10 | 3842535577 |



# Profile 40x40L

**40x40L**

A = 5,6 cm<sup>2</sup>  
 $I_x = 9,1 \text{ cm}^4$   
 $I_y = 9,1 \text{ cm}^4$   
 $W_x = 4,5 \text{ cm}^3$   
 $W_y = 4,5 \text{ cm}^3$   
 $m = 1,5 \text{ kg/m}$

10 10  
40  
19199

| 40x40L (6070mm) | Material/color         | ESD |     | Code       |
|-----------------|------------------------|-----|-----|------------|
| Profile 40x40L  | Aluminum               |     | €/m | 3842529339 |
| ESD cap         | Black (PP)             |     | 20  | 3842548747 |
| Cap             | Gray(PP)               |     | 100 | 3842548746 |
| ESD cover       | Black (PP)             |     | 10  | 3842548877 |
| Cover           | Anodized aluminum (2m) |     | 10  | 3842523258 |

## Accessories:

40/40

FS5  
M8x20

| Type  | F <sub>max</sub> | M <sub>max</sub> | M <sub>max</sub> | M <sub>max</sub> |
|-------|------------------|------------------|------------------|------------------|
| 40/40 | 3000 N           | 55 Nm            | 145 Nm           | 35 Nm            |

| Bracket  | Slot / color | ESD |     | Code       |
|----------|--------------|-----|-----|------------|
| Standard | 10           |     | 100 | 3842528967 |
| T-bolt   | M8x20        |     | 100 | 3842528715 |
| Nut      | M8           |     | 100 | 3842345081 |
| ESD cap  | Black (PP)   |     | 20  | 3842548855 |
| Cap      | Gray(PP)     |     | 100 | 3842548854 |

Slot

| Slot    | F <sub>max</sub> | M <sub>max</sub> |
|---------|------------------|------------------|
| 10 (M8) | 6000 N           | 18000 Nm         |

| T-nut            | Slot/thread | ESD |     | Code       |
|------------------|-------------|-----|-----|------------|
| Galvanized steel | 10 / M4     |     | 100 | 3842530281 |
| Galvanized steel | 10 / M5     |     | 100 | 3842530283 |
| Galvanized steel | 10 / M6     |     | 100 | 3842530285 |
| Galvanized steel | 10 / M8     |     | 100 | 3842530287 |

FS3  
DIN 913  
M8x12

| Slot    | F <sub>max</sub> | M <sub>max</sub> |
|---------|------------------|------------------|
| 10 / 10 | 2800 N           | 100 Nm           |

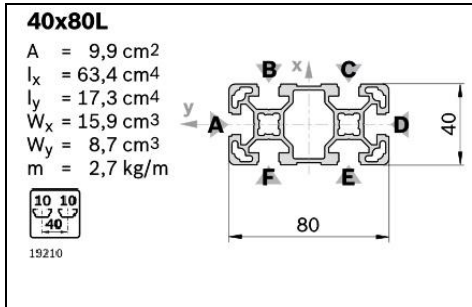
| Inner bracket | Slot    | ESD |    | Code       |
|---------------|---------|-----|----|------------|
| SET           | 10 / 10 |     | 10 | 3842535572 |

FS4  
DIN 913  
M8x12

| Slot    | F <sub>max</sub> | M <sub>max</sub> |
|---------|------------------|------------------|
| 10 / 10 | 3000 N           | 100 Nm           |

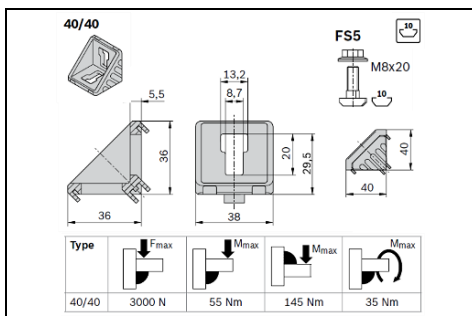
| R inner bracket | Slot    | ESD |    | Code       |
|-----------------|---------|-----|----|------------|
| SET             | 10 / 10 |     | 10 | 3842535571 |

# Profile 40x80L

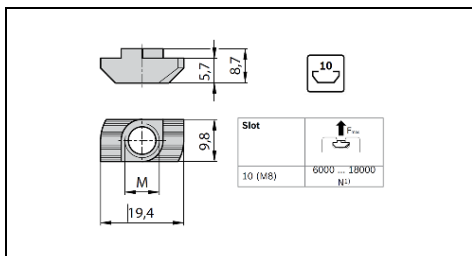


| 40x80L (6070mm) | Material/color         | ESD |     | Code       |
|-----------------|------------------------|-----|-----|------------|
| Profile 40x80L  | Aluminum               |     | €/m | 3842529341 |
| ESD cap         | Black (PP)             |     | 20  | 3842548749 |
| Cap             | Gray (PP)              |     | 100 | 3842548748 |
| ESD cover       | Black (PP)             |     | 10  | 3842548877 |
| Cover           | Anodized aluminum (2m) |     | 10  | 3842523258 |

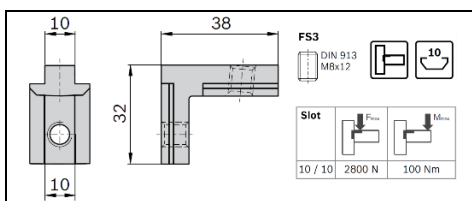
## Accessories:



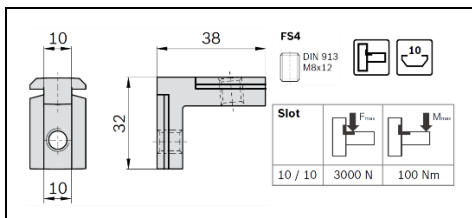
| Bracket  | Slot/thread | ESD |     | Code       |
|----------|-------------|-----|-----|------------|
| Standard | 10          |     | 100 | 3842528967 |
| T-bolt   | M8x20       |     | 100 | 3842528715 |
| Nut      | M8          |     | 100 | 3842345081 |
| ESD cap  | Black (PP)  |     | 20  | 3842548855 |
| Cap      | Gray (PP)   |     | 100 | 3842548854 |



| T-nut            | Slot/thread | ESD |     | Code       |
|------------------|-------------|-----|-----|------------|
| Galvanized steel | 10 / M4     |     | 100 | 3842530281 |
| Galvanized steel | 10 / M5     |     | 100 | 3842530283 |
| Galvanized steel | 10 / M6     |     | 100 | 3842530285 |
| Galvanized steel | 10 / M8     |     | 100 | 3842530287 |



| Inner bracket | Slot    | ESD |    | Code       |
|---------------|---------|-----|----|------------|
| SET           | 10 / 10 |     | 10 | 3842535572 |



| R inner bracket | Slot    | ESD |    | Code       |
|-----------------|---------|-----|----|------------|
| SET             | 10 / 10 |     | 10 | 3842535571 |

# Profile 45x45L

**45x45L**

$A = 6,0 \text{ cm}^2$   
 $I_x = 11,7 \text{ cm}^4$   
 $I_y = 11,7 \text{ cm}^4$   
 $W_x = 5,2 \text{ cm}^3$   
 $W_y = 5,2 \text{ cm}^3$   
 $m = 1,6 \text{ kg/m}$

18421

| 45x45L (6070mm) | Material/color         | ESD |     | Code       |
|-----------------|------------------------|-----|-----|------------|
| Profile 45x45L  | Aluminum               |     | €/m | 3842553611 |
| ESD cap         | Black (PP)             |     | 20  | 3842548753 |
| Cap             | Gray(PP)               |     | 100 | 3842548752 |
| ESD cover       | Black (PP)             |     | 10  | 3842548877 |
| Cover           | Anodized aluminum (2m) |     | 10  | 3842523258 |

## Accessories:

**45/45**

| Type  | $F_{max}$ | $M_{max}$ | $M_{max}$ | $M_{max}$ |
|-------|-----------|-----------|-----------|-----------|
| 45/45 | 3000 N    | 60 Nm     | 160 Nm    | -         |

FS7 M8x25

| Bracket  | Slot / color | ESD |     | Code       |
|----------|--------------|-----|-----|------------|
| Standard | 10           |     | 100 | 3842523558 |
| T-bolt   | M8x25        |     | 100 | 3842528718 |
| Nut      | M8           |     | 100 | 3842345081 |
| ESD cap  | Black (PP)   |     | 100 | 3842548863 |
| Cap      | Gray(PP)     |     | 100 | 3842548862 |

| Slot    | $F_{max}$          |
|---------|--------------------|
| 10 (M8) | 6000 ... 18000 (N) |

| T-nut            | Slot/thread | ESD |     | Code       |
|------------------|-------------|-----|-----|------------|
| Galvanized steel | 10 / M4     |     | 100 | 3842530281 |
| Galvanized steel | 10 / M5     |     | 100 | 3842530283 |
| Galvanized steel | 10 / M6     |     | 100 | 3842530285 |
| Galvanized steel | 10 / M8     |     | 100 | 3842530287 |

**FS3** DIN 913 M8x12

| Slot    | $F_{max}$ | $M_{max}$ |
|---------|-----------|-----------|
| 10 / 10 | 2800 N    | 100 Nm    |

| Inner bracket | Slot    | ESD |    | Code       |
|---------------|---------|-----|----|------------|
| SET           | 10 / 10 |     | 10 | 3842535572 |

**FS4** DIN 913 M8x12

| Slot    | $F_{max}$ | $M_{max}$ |
|---------|-----------|-----------|
| 10 / 10 | 3000 N    | 100 Nm    |

| R inner bracket | Slot    | ESD |    | Code       |
|-----------------|---------|-----|----|------------|
| SET             | 10 / 10 |     | 10 | 3842535571 |

# Profile 45x45

**45x45**  
 $A = 7,5 \text{ cm}^2$   
 $I_x = 13,8 \text{ cm}^4$   
 $I_y = 13,8 \text{ cm}^4$   
 $W_x = 6,1 \text{ cm}^3$   
 $W_y = 6,1 \text{ cm}^3$   
 $m = 2,0 \text{ kg/m}$

19432

| 45x45 (6070mm) | Material/color         | ESD |     | Code       |
|----------------|------------------------|-----|-----|------------|
| Profile 45x45  | Aluminum               |     | €/m | 3842553614 |
| ESD cap        | Black (PP)             |     | 20  | 3842548753 |
| Cap            | Gray(PP)               |     | 100 | 3842548752 |
| ESD cover      | Black (PP)             |     | 10  | 3842548877 |
| Cover          | Anodized aluminum (2m) |     | 10  | 3842523258 |

## Accessories:

**45/45**

| Type  | $F_{max}$ | $M_{max}$ | $M_{max}$ | $M_{max}$ |
|-------|-----------|-----------|-----------|-----------|
| 45/45 | 3000 N    | 60 Nm     | 160 Nm    | -         |

FS7 M8x25

| Bracket  | Slot / color | ESD |     | Code       |
|----------|--------------|-----|-----|------------|
| Standard | 10           |     | 100 | 3842523558 |
| T-bolt   | M8x25        |     | 100 | 3842528718 |
| Nut      | M8           |     | 100 | 3842345081 |
| ESD cap  | Black (PP)   |     | 100 | 3842548863 |
| Cap      | Gray(PP)     |     | 100 | 3842548862 |

| Slot    | $F_{max}$        |
|---------|------------------|
| 10 (M8) | 8000 ... 18000 N |

| T-nut            | Slot/thread | ESD |     | Code       |
|------------------|-------------|-----|-----|------------|
| Galvanized steel | 10 / M4     |     | 100 | 3842530281 |
| Galvanized steel | 10 / M5     |     | 100 | 3842530283 |
| Galvanized steel | 10 / M6     |     | 100 | 3842530285 |
| Galvanized steel | 10 / M8     |     | 100 | 3842530287 |

FS3 DIN 913 M8x12

| Slot    | $F_{max}$ | $M_{max}$ |
|---------|-----------|-----------|
| 10 / 10 | 2800 N    | 100 Nm    |

| Inner bracket | Slot    | ESD |    | Code       |
|---------------|---------|-----|----|------------|
| SET           | 10 / 10 |     | 10 | 3842535572 |

FS4 DIN 913 M8x12

| Slot    | $F_{max}$ | $M_{max}$ |
|---------|-----------|-----------|
| 10 / 10 | 3000 N    | 100 Nm    |

| R inner bracket | Slot    | ESD |    | Code       |
|-----------------|---------|-----|----|------------|
| SET             | 10 / 10 |     | 10 | 3842535571 |

# Profile 45x90L

**45x90L**  
 $A = 11,3 \text{ cm}^2$   
 $I_x = 82,0 \text{ cm}^4$   
 $I_y = 23,6 \text{ cm}^4$   
 $W_x = 18,2 \text{ cm}^3$   
 $W_y = 10,5 \text{ cm}^3$   
 $m = 3,0 \text{ kg/m}$

| 45x90L (6070mm) | Material/color         | ESD |     | Code       |
|-----------------|------------------------|-----|-----|------------|
| Profile 45x90L  | Aluminum               |     | €/m | 3842553612 |
| ESD cap         | Black (PP)             |     | 20  | 3842548757 |
| Cap             | Gray(PP)               |     | 20  | 3842548756 |
| ESD cover       | Black (PP)             |     | 10  | 3842548877 |
| Cover           | Anodized aluminum (2m) |     | 10  | 3842523258 |

## Accessories:

**45/45**

| Type  | $F_{max}$ | $M_{max}$ | $M_{max}$ | $M_{max}$ |
|-------|-----------|-----------|-----------|-----------|
| 45/45 | 3000 N    | 60 Nm     | 160 Nm    | -         |

FS7 M8x25

| Bracket  | Slot / color | ESD |     | Code       |
|----------|--------------|-----|-----|------------|
| Standard | 10           |     | 100 | 3842523558 |
| T-bolt   | M8x25        |     | 100 | 3842528718 |
| Nut      | M8           |     | 100 | 3842345081 |
| ESD cap  | Black (PP)   |     | 100 | 3842548863 |
| Cap      | Gray(PP)     |     | 100 | 3842548862 |

| Slot    | $F_{max}$          | $M_{max}$ |
|---------|--------------------|-----------|
| 10 (M8) | 6000 ... 18000 (N) | -         |

| T-nut            | Slot/thread | ESD |     | Code       |
|------------------|-------------|-----|-----|------------|
| Galvanized steel | 10 / M4     |     | 100 | 3842530281 |
| Galvanized steel | 10 / M5     |     | 100 | 3842530283 |
| Galvanized steel | 10 / M6     |     | 100 | 3842530285 |
| Galvanized steel | 10 / M8     |     | 100 | 3842530287 |

**FS3** DIN 913 M8x12

| Slot    | $F_{max}$ | $M_{max}$ |
|---------|-----------|-----------|
| 10 / 10 | 2800 N    | 100 Nm    |

| Inner bracket | Slot    | ESD |    | Code       |
|---------------|---------|-----|----|------------|
| SET           | 10 / 10 |     | 10 | 3842535572 |

**FS4** DIN 913 M8x12

| Slot    | $F_{max}$ | $M_{max}$ |
|---------|-----------|-----------|
| 10 / 10 | 3000 N    | 100 Nm    |

| R inner bracket | Slot    | ESD |    | Code       |
|-----------------|---------|-----|----|------------|
| SET             | 10 / 10 |     | 10 | 3842535571 |

# Profile 45x90

**45x90**

$A = 15,4 \text{ cm}^2$   
 $I_x = 124,6 \text{ cm}^4$   
 $I_y = 32,8 \text{ cm}^4$   
 $W_x = 27,7 \text{ cm}^3$   
 $W_y = 14,6 \text{ cm}^3$   
 $m = 4,2 \text{ kg/m}$

10 10  
45  
19438

| 45x90 (6070mm) | Material/color         | ESD |     | Code       |
|----------------|------------------------|-----|-----|------------|
| Profile 45x90  | Aluminum               |     | €/m | 3842553615 |
| ESD cap        | Black (PP)             |     | 20  | 3842548757 |
| Cap            | Gray(PP)               |     | 20  | 3842548756 |
| ESD cover      | Black (PP)             |     | 10  | 3842548877 |
| Cover          | Anodized aluminum (2m) |     | 10  | 3842523258 |

## Accessories:

**45/45**

| Type  | $F_{max}$ | $M_{max}$ | $M_{max}$ | $M_{max}$ |
|-------|-----------|-----------|-----------|-----------|
| 45/45 | 3000 N    | 60 Nm     | 160 Nm    | -         |

FS7 M8x25

| Bracket  | Slot / color | ESD |     | Code       |
|----------|--------------|-----|-----|------------|
| Standard | 10           |     | 100 | 3842523558 |
| T-bolt   | M8x25        |     | 100 | 3842528718 |
| Nut      | M8           |     | 100 | 3842345081 |
| ESD cap  | Black (PP)   |     | 100 | 3842548863 |
| Cap      | Gray(PP)     |     | 100 | 3842548862 |

| Slot    | $F_{max}$                      |
|---------|--------------------------------|
| 10 (M8) | 6000 ... 18000 N <sup>1)</sup> |

| T-nut            | Slot/thread | ESD |     | Code       |
|------------------|-------------|-----|-----|------------|
| Galvanized steel | 10 / M4     |     | 100 | 3842530281 |
| Galvanized steel | 10 / M5     |     | 100 | 3842530283 |
| Galvanized steel | 10 / M6     |     | 100 | 3842530285 |
| Galvanized steel | 10 / M8     |     | 100 | 3842530287 |

**FS3** DIN 913 M8x12

| Slot    | $F_{max}$ | $M_{max}$ |
|---------|-----------|-----------|
| 10 / 10 | 2800 N    | 100 Nm    |

| Inner bracket | Slot    | ESD |    | Code       |
|---------------|---------|-----|----|------------|
| SET           | 10 / 10 |     | 10 | 3842535572 |

**FS4** DIN 913 M8x12

| Slot    | $F_{max}$ | $M_{max}$ |
|---------|-----------|-----------|
| 10 / 10 | 3000 N    | 100 Nm    |

| R inner bracket | Slot    | ESD |    | Code       |
|-----------------|---------|-----|----|------------|
| SET             | 10 / 10 |     | 10 | 3842535571 |

# Profile 50x50L

**50x50L**

A = 9,3 cm<sup>2</sup>  
 $I_x = 21,2 \text{ cm}^4$   
 $I_y = 21,2 \text{ cm}^4$   
 $W_x = 8,5 \text{ cm}^3$   
 $W_y = 8,5 \text{ cm}^3$   
 $m = 2,5 \text{ kg/m}$

13454

| 50x50 (6070mm) | Material/color         | ESD |     | Code       |
|----------------|------------------------|-----|-----|------------|
| Profile 50x50  | Aluminum               |     | €/m | 3842529351 |
| ESD cap        | Black (PP)             |     | 20  | 3842548821 |
| Cap            | Gray(PP)               |     | 20  | 3842548820 |
| ESD cover      | Black (PP)             |     | 10  | 3842548877 |
| Cover          | Anodized aluminum (2m) |     | 10  | 3842523258 |

## Accessories:

50/50

| Type  | $F_{max}$ | $M_{max}$ | $M_{max}$ | $M_{max}$ |
|-------|-----------|-----------|-----------|-----------|
| 50/50 | 4000 N    | 125 Nm    | 250 Nm    | 38 Nm     |

FS7 M8x25

| Bracket  | Slot / color | ESD |     | Code       |
|----------|--------------|-----|-----|------------|
| Standard | 10           |     | 20  | 3842530381 |
| T-bolt   | M8x25        |     | 100 | 3842528718 |
| Nut      | M8           |     | 100 | 3842345081 |
| ESD cap  | Black (PP)   |     | 100 | 3842548871 |
| Cap      | Gray(PP)     |     | 100 | 3842548870 |

| Slot    | $F_{max}$      |
|---------|----------------|
| 10 (M8) | 6000 - 19000 N |

| T-nut            | Slot/thread | ESD |     | Code       |
|------------------|-------------|-----|-----|------------|
| Galvanized steel | 10 / M4     |     | 100 | 3842530281 |
| Galvanized steel | 10 / M5     |     | 100 | 3842530283 |
| Galvanized steel | 10 / M6     |     | 100 | 3842530285 |
| Galvanized steel | 10 / M8     |     | 100 | 3842530287 |

FS3

DIN 913 M8x12

| Slot    | $F_{max}$ | $M_{max}$ |
|---------|-----------|-----------|
| 10 / 10 | 2800 N    | 100 Nm    |

| Inner bracket | Slot    | ESD |    | Code       |
|---------------|---------|-----|----|------------|
| SET           | 10 / 10 |     | 10 | 3842535572 |

FS4

DIN 913 M8x12

| Slot    | $F_{max}$ | $M_{max}$ |
|---------|-----------|-----------|
| 10 / 10 | 3000 N    | 100 Nm    |

| R inner bracket | Slot    | ESD |    | Code       |
|-----------------|---------|-----|----|------------|
| SET             | 10 / 10 |     | 10 | 3842535571 |

# Profile 80x80L

**50x50L**

A = 9,3 cm<sup>2</sup>  
 $I_x = 21,2 \text{ cm}^4$   
 $I_y = 21,2 \text{ cm}^4$   
 $W_x = 8,5 \text{ cm}^3$   
 $W_y = 8,5 \text{ cm}^3$   
 $m = 2,5 \text{ kg/m}$

19454

| 80x80L (6070mm) | Material/color         | ESD |     | Code       |
|-----------------|------------------------|-----|-----|------------|
| Profile 80x80L  | Aluminum               |     | €/m | 3842529347 |
| ESD cap         | Black (PP)             |     | 20  | 3842548751 |
| Cap             | Gray (PP)              |     | 20  | 3842548750 |
| ESD cover       | Black (PP)             |     | 10  | 3842548877 |
| Cover           | Anodized aluminum (2m) |     | 10  | 3842523258 |

## Accessories:

**50/50**

| Type  | F <sub>max</sub> | M <sub>max</sub> | M <sub>max</sub> | M <sub>max</sub> |
|-------|------------------|------------------|------------------|------------------|
| 50/50 | 4000 N           | 125 Nm           | 250 Nm           | 38 Nm            |

FS7 M8x25

| Bracket  | Slot / color | ESD |     | Code       |
|----------|--------------|-----|-----|------------|
| Standard | 10           |     | 20  | 3842530231 |
| T-bolt   | M8x25        |     | 100 | 3842528718 |
| Nut      | M8           |     | 100 | 3842345081 |
| ESD cap  | Black (PP)   |     | 100 | 3842548861 |
| Cap      | Gray (PP)    |     | 100 | 3842548860 |

| Slot    | F <sub>max</sub>             |
|---------|------------------------------|
| 10 (M8) | 6000 - 18000 N <sup>1)</sup> |

| T-nut            | Slot/thread | ESD |     | Code       |
|------------------|-------------|-----|-----|------------|
| Galvanized steel | 10 / M4     |     | 100 | 3842530281 |
| Galvanized steel | 10 / M5     |     | 100 | 3842530283 |
| Galvanized steel | 10 / M6     |     | 100 | 3842530285 |
| Galvanized steel | 10 / M8     |     | 100 | 3842530287 |

**FS3** DIN 913 M8x12

| Slot    | F <sub>max</sub> | M <sub>max</sub> |
|---------|------------------|------------------|
| 10 / 10 | 2800 N           | 100 Nm           |

| Inner bracket | Slot    | ESD |    | Code       |
|---------------|---------|-----|----|------------|
| SET           | 10 / 10 |     | 10 | 3842535572 |

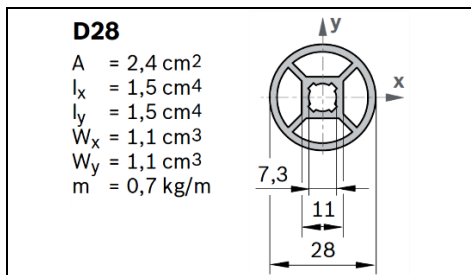
**FS4** DIN 913 M8x12

| Slot    | F <sub>max</sub> | M <sub>max</sub> |
|---------|------------------|------------------|
| 10 / 10 | 3000 N           | 100 Nm           |

| R inner bracket | Slot    | ESD |    | Code       |
|-----------------|---------|-----|----|------------|
| SET             | 10 / 10 |     | 10 | 3842535571 |

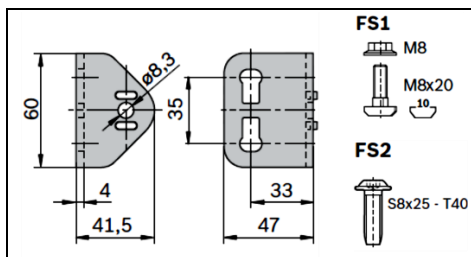


# Profile D28



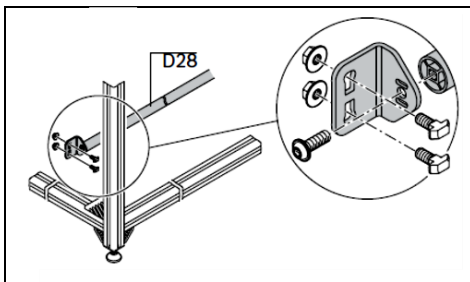
| D28 (6070mm) | Material/color | ESD |     | Code       |
|--------------|----------------|-----|-----|------------|
| Profile D28  | Aluminum       |     | €/m | 3842535118 |
| ESD cap      | ● Black (PP)   |     | 20  | 3842535835 |
| Cap          | ● Gray(PP)     |     | 20  | 3842537718 |

Accessories:

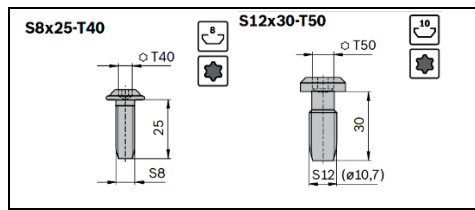


| Bracket                        | ESD |    | Code       |
|--------------------------------|-----|----|------------|
| 60x47x4<br>(set: 2xFS1 ir FS2) |     | 20 | 3842536002 |

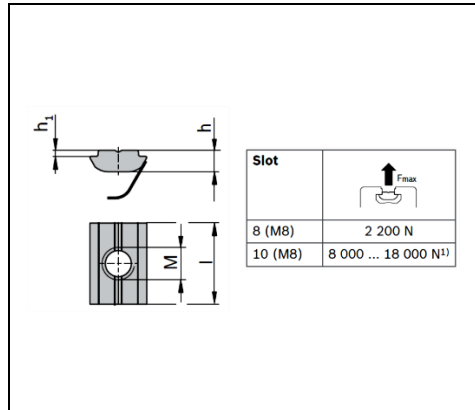
Fitting:



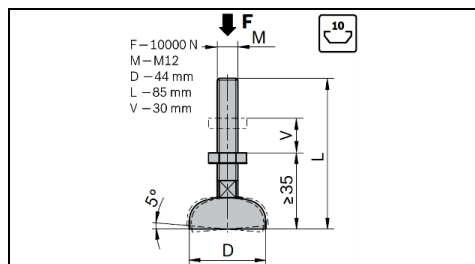
# Accessories



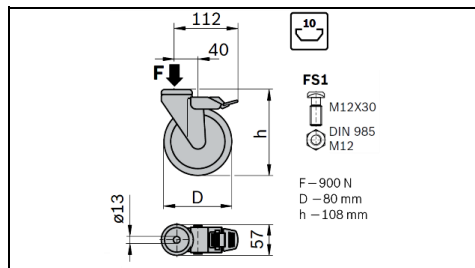
| Central bolt (self-tapping) | Thread | ESD |     | Code       |
|-----------------------------|--------|-----|-----|------------|
| S8x25-T40                   | M8     |     | 100 | 3842535118 |
| S12x30-T50                  | M12    |     | 100 | 3842530236 |



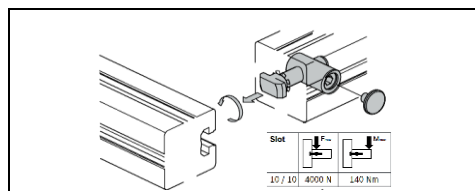
| Swivel-in sliding block with spring | Material | Item size | ESD |     | Code       |
|-------------------------------------|----------|-----------|-----|-----|------------|
| Steel, galvanized                   | 8        | M6        |     | 100 | 3842529296 |
|                                     | 8        | M8        |     | 100 | 3842529297 |
|                                     | 10       | M5        |     | 100 | 3842529298 |
|                                     | 10       | M6        |     | 100 | 3842529299 |
|                                     | 10       | M8        |     | 100 | 3842529300 |



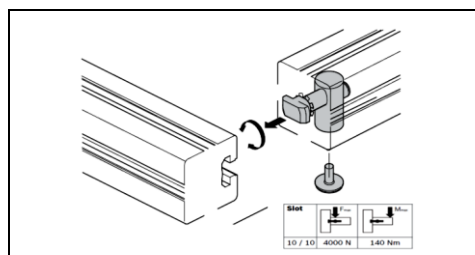
| Leveling foot | Thread | ESD |    | Code       |
|---------------|--------|-----|----|------------|
| D44 M12X85    | M12    |     | 20 | 3842352061 |



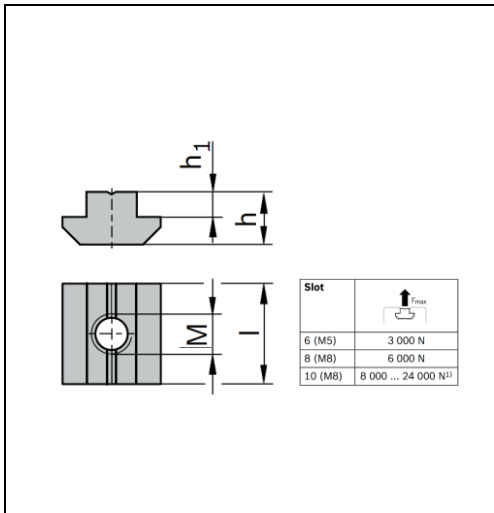
| CASTER WHEEL | F (N) | D, mm | h, mm | ESD | Code       |
|--------------|-------|-------|-------|-----|------------|
| D80 F ESD    | 900   | 80    | 108   |     | 3842541230 |



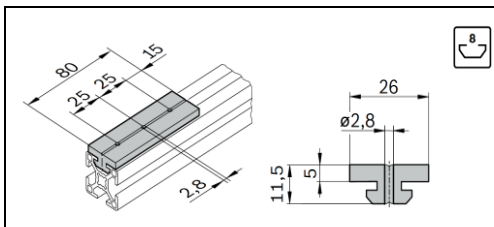
| Quick connector, 0° | D, mm | Slot  | ES D |    | Code       |
|---------------------|-------|-------|------|----|------------|
| Steel; galvanized   | 17    | 10/10 |      | 10 | 3842535458 |



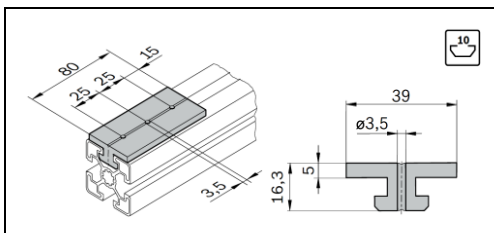
| Quick connector, 90° | D, mm | Slot  | ES D |    | Code       |
|----------------------|-------|-------|------|----|------------|
| Steel; galvanized    | 17    | 10/10 |      | 10 | 3842535466 |



| Sliding block        | Slot | M  | h    | h <sub>1</sub> | l  | ESD |     | Code          |
|----------------------|------|----|------|----------------|----|-----|-----|---------------|
| steel;<br>galvanized | 6    | M4 | 4.0  | 1.0            | 12 |     | 100 | 3 842 542 692 |
|                      | 6    | M5 | 4.0  | 1.0            | 12 |     | 100 | 3 842 542 693 |
|                      | 8    | M4 | 6.0  | 2.0            | 16 |     | 100 | 3 842 514 928 |
|                      | 8    | M5 | 6.0  | 2.0            | 16 |     | 100 | 3 842 514 929 |
|                      | 8    | M6 | 6.0  | 2.0            | 16 |     | 100 | 3 842 514 930 |
|                      | 8    | M8 | 6.0  | 2.0            | 16 |     | 100 | 3 842 514 931 |
|                      | 10   | M5 | 10.5 | 5.0            | 20 |     | 100 | 3 842 528 741 |
|                      | 10   | M6 | 10.5 | 5.0            | 20 |     | 100 | 3 842 528 738 |
|                      | 10   | M8 | 10.5 | 5.0            | 20 |     | 100 | 3 842 528 735 |



| Slider for profiles | Material     | Slot | ESD |    | Code          |
|---------------------|--------------|------|-----|----|---------------|
|                     | POM, natural | 8    |     | 10 | 3 842 523 212 |



| Slider for profiles | Material     | Slot | ESD |    | Code          |
|---------------------|--------------|------|-----|----|---------------|
|                     | POM, natural | 10   |     | 10 | 3 842 530 329 |

## Technical information

### Metric Tap/Drill.Specifications

| Tap | Thread     | Drill size |
|-----|------------|------------|
| M4  | M4 x 0,7   | 3,3 mm     |
| M5  | M5 x 0,8   | 4,2 mm     |
| M6  | M6 x 1     | 5,0 mm     |
| M8  | M8 x 1,25  | 6,8 mm     |
| M12 | M12 x 1,75 | 10,2 mm    |
| M16 | M16 x 2    | 14,0 mm    |

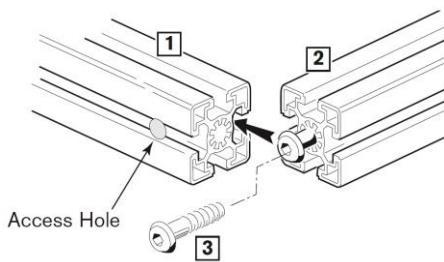
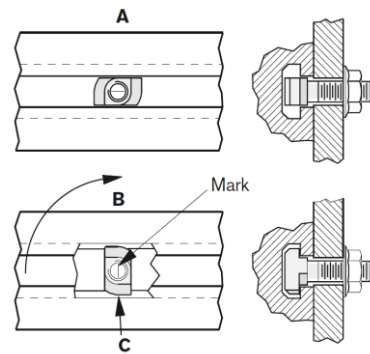
# Making Basic Connections

## Using T-bolts and T-nuts

Bosch Rexroth Aluminum Structural Framing components attach to a profile's T-slot using T-bolts or T-nuts. The drawing to the right illustrates the procedure for using T-bolts and T-nuts. First insert the T-bolt into slot (A), and tighten down the flange nut. As the nut tightens, it will turn the T-bolt 90° in the slot (B), creating a friction lock (C). The same principle applies to T-nuts. Refer to the appropriate catalog page or Section 17 for torque specifications.

### ASSEMBLY HINT:

T-bolts have a mark on the end of the threaded shaft that is in line with the T-bolt head. The T-bolt is correctly positioned when this mark is perpendicular to the T-slot.

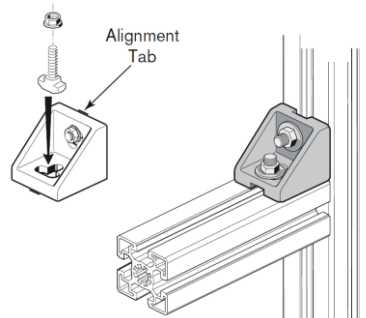


## Using Connection Screws

When using a connection screw to make a 90° connection, an access hole must first be drilled into the end of profile (1) as shown at left. Dimensions vary depending on the profile size and can be found on the appropriate profile page in this catalog. After drilling the access hole in the end of profile (1), thread a connection screw (3) into the end of profile (2). Tighten the screw until the threads are all the way into the profile end, leaving enough of the screw exposed to slide freely along the T-slot. Now slide the profile with connection screw (2) into the T-slot of profile (1), adjacent to the access hole. Tighten the connection screw through the access hole in profile (1) with the appropriate size Allen wrench. Refer to the appropriate catalog page or Section 17 for torque specifications.

## Installing Gussets

Insert T-bolts with flange nuts threaded onto the ends through the gusset mounting holes. Line the gusset up in the profile's T-slot using the alignment tabs on the gusset. Insert the T-bolt into the profile's T-slot, then tighten the flange nut to turn and lock the T-bolt. Refer to the appropriate catalog page or Section 17 for torque specifications.



## HEAD OFFICE

Dubysos str. 66A, LT-94107, Klaipeda

Tel. +370 46 355494  
Mob. tel. +370 699 03907  
+370 650 42992  
+370 652 10541

[www.techvitas.com](http://www.techvitas.com)

**Vilnius** | +370 655 76803

**Kaunas** | +370 655 73316

**Klaipeda** | +370 699 03907

**Siauliai** | +370 656 56755

**Panevezys** | +370 699 85436

**Utena** | +370 650 37122

**Kedainiai** | +370 612 59594

**Taurage** | +370 656 67435

**Silute** | +370 656 31360

**Riga** | + 371 22 325 004

**Tallinn** | +372 5670 0702

**Katowice** | +48 3235 37524

**Minsk** | +375 44 794 1992

**Kiev** | +380 9561 74240

